

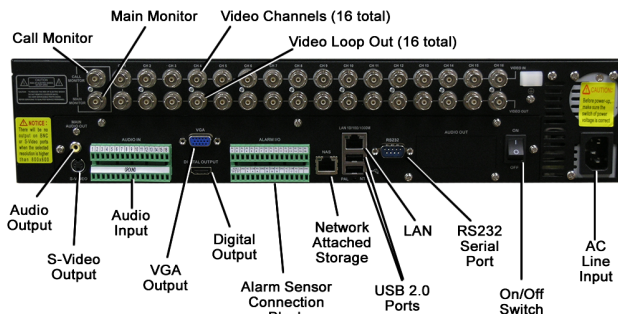
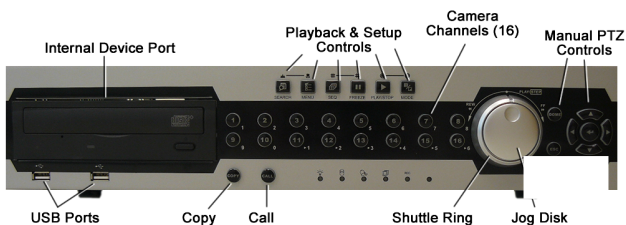
COR-BIX16HDX

HYBRID DVR-NVR FOR 960H IP CAMERA SURVEILLANCE NETWORKS

Advanced ibix Hybrid DVR/NVR

Designed for hybrid surveillance networks that have IP megapixel HDCCTV cameras and traditional analog cameras, ibix HDX hybrid DVRs work well with both types of cameras. Pentaplex operation lets you work smoothly throughout the day no matter what security tasks you need to perform, even if you are doing the tasks remotely.

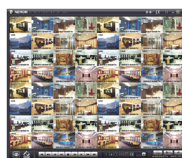
The front panel controls are easy to identify and use. A shuttle ring/jog disk aids tasks like searching through video during playback, making fast forward and rewind intuitive. Other usability enhancements include Smart Search, which helps you find important parts of recorded video faster and easier, and ezBurn, which simplifies the process of exporting video after you've found the important parts (usually security incidents).



General Specifications

| |
|---|
| Selectable Video Compression: H264, MPEG4, MJPEG |
| Analog Video Input: 16 channels (BNC) |
| IP Video Input: up to 8 channels, megapixel input compatible with HDCCTV IP camera raw data recording with no data loss |
| Live Picture Refresh Rate: 480 images per second Real Time |
| Record / Speed Resolution |
| H264 NTSC 720x480: 480 ips* Real Time @ D1 |
| Record Quality Settings: 8 selectable |
| Recording Modes: Schedule, Alarm, Motion Detection |
| Pre-Alarm Recording: 1 to 30 seconds |
| Data Protection: Yes (programmable) |
| Video Playback Format: Switch selectable - NTSC or PAL |
| Main Monitor Outputs: 1 composite (BNC), 1 S-video |
| Call Monitor Outputs: 1 composite (BNC) |
| Digital Display Outputs: HDMI resolutions |
| VGA Display Outputs: 1 (at 800x600, 1024x768, 1280x1024) |
| Network Connectivity: RJ45 Ethernet conn. 10/100/1000Mbps |
| Remote Operations: Live camera video, playback, record, setup system, PTZ, backup |
| Serial Connectivity: RS232C (9-pin D) & RS485 (terminal block) |
| PTZ Protocols: Pelco, Pelco D, Fastrax2, Panasonic |
| Alarm Inputs: 16 (TTL), terminal block connections |
| Alarm Detection: NO, NC, programmable |
| Alarm Relay Output: 3 terminal block, 3.0A/30VDC or 3.0A/125VAC |
| Motion Detection: Grid (sensitivity level adjustable) |
| Video Loss Detection: selectable |
| Audio Input: 16 (RCA) |
| Audio Output: 1, line-out (RCA) |
| Audio Compression: ADPCM, G.726 |
| Audio Bit-Rate: 8KB/s, per channel |

* IPS = Images Per Second (same as Picture Per Second or Frames Per Second)



HDX CMS Camera Management System

Our powerful HDX CMS software lets you connect to dozens of cameras, analog and IP-based, collecting surveillance perspectives from anywhere in the world. As an NVR it gives you a central location for viewing all the cameras in your network. Download the latest version anytime from our free DVR & surveillance product support site.

| |
|--|
| Storage: 4 SATA Devices (3 HDD & 1 DVD R/W or 4 HDD) |
| Internal Cartridge or DVD R/W: optional |
| External Storage: HDX Store™ (Gigabit LAN) |
| Export/Backup: USB 2.0 (x4) support for "thumb" drives and external DVD R/W drives |
| User Controls: mouse, front panel buttons or IR remote control |
| Programming/Setup Menu: Multilingual On-screen display (OSD) |
| Operating system: Linux |
| Additional software: Free HDX CMS software, downloadable from our DVR support site, allows fast monitoring of dozens of cameras across your network or around the world. |
| Common Task Enhancements |
| Freeze Button: Front panel mounted, freezes video during playback or live operation. |
| Smart Search: User selects start/end time, channel, area for search, sensitivity and threshold and number of segments in their search time. See page 2. |
| ezBurn: Fast and easy export video to a USB flash drive or writable DVD. Find your video segment, mark start, mark end, export. |

Power & Physical Specifications

| |
|--|
| Power: 100~240VAC, 50-60Hz, 100W (manual select) |
| Operating Temperature: 32° ~ 104°F (0° ~ 40°C) |
| Operating Humidity: 0% ~ 90% |
| Dimensions: 17.3"(w) x 3.5"(h) x 16.3"(d) 440mm(w) x 90mm(h) x 413mm(d) |
| Weight: 15.4lb (7Kg) with DVD R/W drive installed |

COR-BIX16HDX

