

COR-598HIM

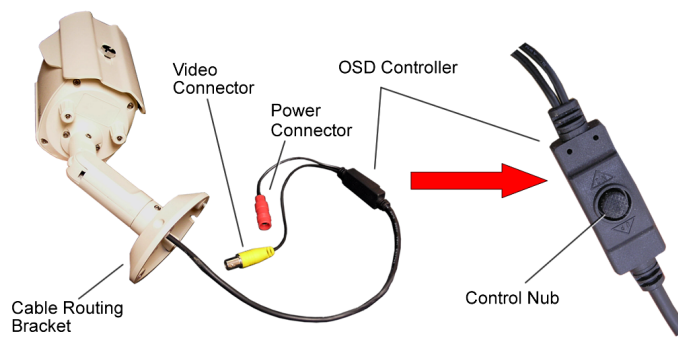
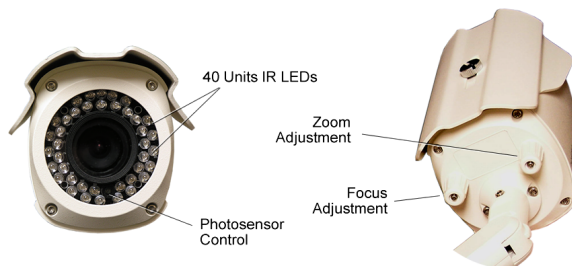
OUTDOOR IR BULLET with VARIFOCAL LENS - WDR - OSD MENU

Outdoor Very High Resolution CCTV Camera with Infrared, Varifocal Lens and OSD Menu

This color bullet camera uses a 1/3" Sony CCD video sensor (with built-in digital signal processing), advanced camera electronics with Sens up, very high resolution, internal infrared, and an auto-iris varifocal lens with external adjustment. Built from the ground up for premium dependability and video quality, this camera has a multi-lingual on-screen display (OSD) menu that offers many settings to let you tune this camera perfectly for any surveillance environment. A chip-set featuring advanced dynamic noise reduction (DNR) and wide dynamic range help round-out a set of features demanding users appreciate.



Multiple user friendly features make this camera perfect for commercial locations. The cable routing bracket prevents vandals from cutting the power and video cables. The OSD controller toggles the on-screen menu selections and provides an intuitive way of programming advanced features like motion detection, sharpness, exposure and more.



Aim and forget. The inside of the elbow joint of the all-metal bracket has interlocking gears. Aim the camera, tighten the security screws, and the aim won't change regardless of vibrations from nearby machinery, heavy traffic or other sources. It also makes it impossible for vandals to grab and move the camera without breaking it.

General Specifications	
Video Sensor:	1/3" Sony CCD w/DSP
# of Pixels:	NTSC - 811(h) x 508(v)
Very Horizontal Resolution:	600 TV lines
Minimum Illumination:	0.1 LUX / 0.0 LUX with IR on
IR LED Array:	40 Units Operating at 850nm Wavelength
IR Range:	60' or more (depending on atmospheric conditions)
Scanning System:	2:1 Interlace
Video Signal Synchronization:	Internal
Video Signal:	Composite output, 1Vp-p, 75 Ohm impedance
Signal to Noise Ratio:	>50dB (AGC off)
Wide Dynamic Range:	52dB (x128)
Gamma Correction:	0.45
IR Filter:	Yes
Selectable Gain Control:	high/middle/low/off
White Balance & Back Light Compensation:	OSD menu selectable
Auto-Electronic Shutter:	OSD menu adjustable 1/60 to 1/100,000 sec.
Sens Up:	OSD menu selectable auto/fixd/off (x2 to x256) - sets slow shutter speeds to capture maximum light
Dynamic Noise Reduction (DNR):	off/low/medium/high
Privacy Zone Masking:	Yes, 6 zones OSD menu selectable
Motion Detection:	Yes, OSD menu selectable
Mirror:	Yes, OSD menu selectable off/on/V flip/rotate
Day & Night Mode Operation:	Yes, color & aperture suppression selectable
Freeze & Picture Sharpness:	Yes, OSD menu selectable
CRT/LCD Monitor:	OSD menu selectable
Digital Image Stabilization (DIS):	OSD menu selectable
Color Correction:	OSD menu AWC/ATW/manual/push & red/blue gain
Dual Power:	12VDC/24VAC 1A (max. nominal)

Optical Specifications

Varifocal Lens:	2.8-11mm varifocal, DC auto iris, OSD controlled exposure
Integrated Lens Separator:	eliminates infrared "haze"
IR filter:	Improves focus when switching between day & night mode

Environmental Specifications

Operating Temperature:	-10 degrees to +50 degrees (C) 14 degrees to +122 degrees (F)
Waterproof Rating:	IP68 - superior weather resistance

Physical Specifications

Dimensions:	Camera & light shield attached - 85.1mm(w) x 123.5mm(h) x 233.8mm(d) (3.4" x 4.7" x 9.2")
Weight:	1.0kg (2.2lbs)

COR-598HIM

