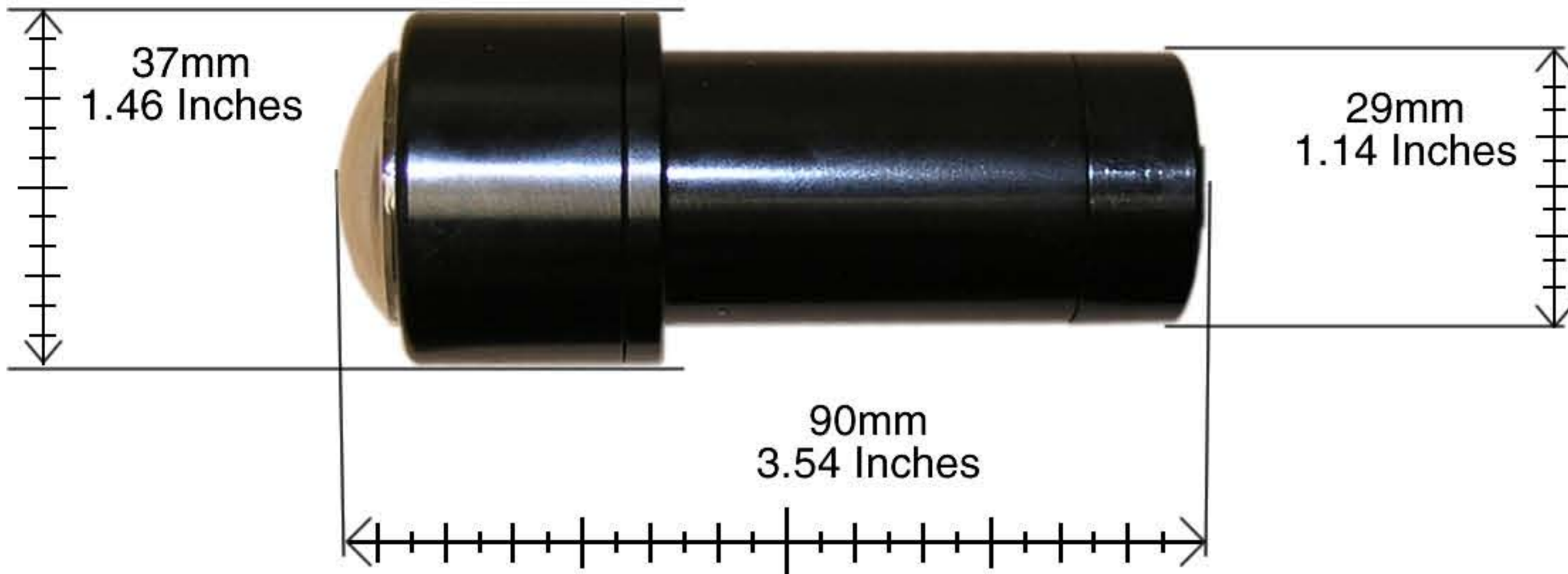


Specification Sheet

ECL-595

This indoor/outdoor color bullet camera measures only 3.54 inches long and is less than 1.5 inches thick. It runs on a regulated 12VDC power supply and includes an adjustable ball-and-socket bracket and a 3 foot long combination power cord/video cord. It's sealed against the weather so it can be placed in an outdoor environment without fear of breakdown. Its wide angle lens provides a 170-degree field of view which is enough to capture an entire small office. Use multiple cameras to cover large outdoor (or indoor) areas with overlapping fields of view to totally eliminate any un-monitored zones.



Cold Weather Proof

Resists rain, wind blown debris and moisture, making it safe for placement in most outdoor environments. Built for Northern climates. Remains functional in very cold weather (see specs. at right), even below the freezing point.



Mounting & Aim

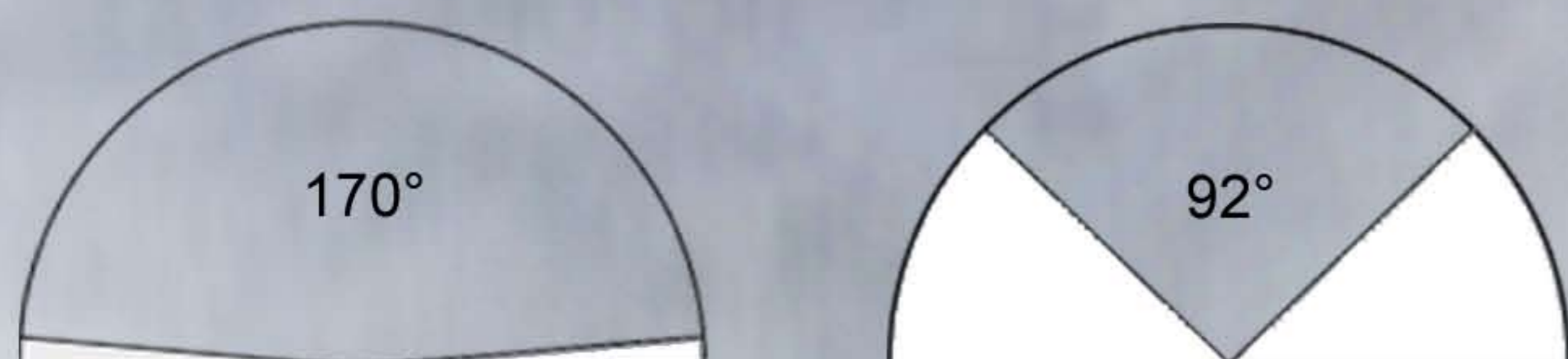
An articulated ball-and-socket joint bracket is included that allows adjustment on 3-axis. The tough all metal base bracket allows a wide variety of secure mounting positions.



The attached combination video and power cord has standard connectors and is 3-feet long. The base bracket has a pre-cut slot to aid cable routing.

Wide Angle Field of View - 170°

To understand the benefit of this lens, consider the following information. A standard 3.6mm lens has a field of view approximately 92°, as shown below. The 2.2mm wide angle lens in this camera provides a 170° field of view. In comparison, the human eye is generally capable of providing a field of view between 127°-129°. Greater field of view means less unmonitored area near your camera.



General Specifications

Video Sensor: 1/3" Sony Super HAD II color CCD
Horizontal Resolution: 600 TV lines
Effective Pixels: NTSC - 512 x 492 (251k), PAL - 512 x 582 (297k)
Light Level: 0.5 Lux / F2.0
Video Signal Level: 1Vp-p, 75 Ohm impedance
Signal to Noise Ratio: >50dB
Gamma Correction: ~0.45
AES, 3D-DNR, SWDR, SENS UP
Power Requirement: Regulated 12VDC, 300mA (nominal), 2.5W

Environmental Specifications

Operating Temperature:	-20 degrees to +50 degrees (C) -4 degrees to +122 degrees (F)
Storage Temperature:	-30 degrees to +60 degrees (C) -22 degrees to +140 degrees (F)
Water/Weatherproof:	Suitable for outdoor placement

Physical Specifications

Approx. Dimensions:	90mm x 37mm (3.54" x 1.46")
Approx. Weight:	175g (6.17oz)

Optics Specifications

Lens:	2.2mm coated optical glass with a 170° field of view
-------	--

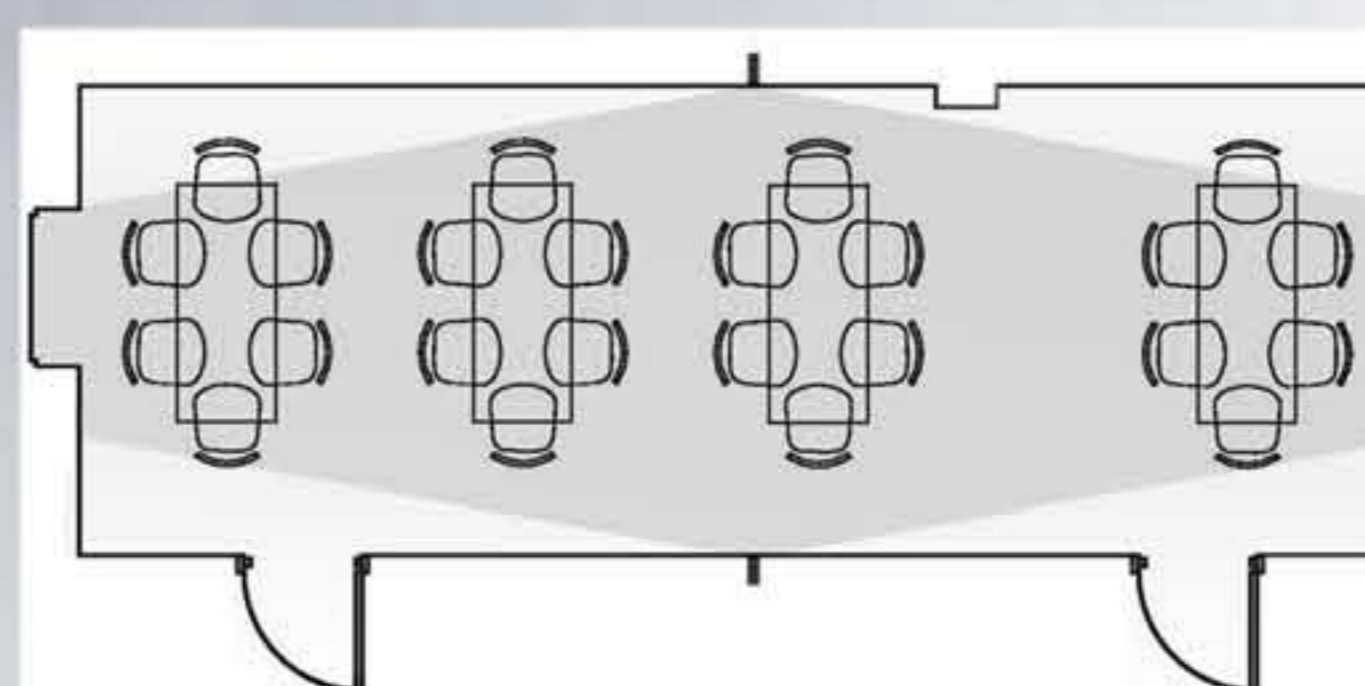
Wide Angle vs Regular Angle Lens

By using a camera with a wide angle lens, you can substantially lessen your overall surveillance system budget. Consider the two illustrations below. Both illustrations show sample camera installations in the same meeting room. In both situations the areas under surveillance are essentially the same.

The installation on the left, using 2 wide angle lens cameras, can be installed quickly. It will need cabling and power for 2 cameras and a 4-channel DVR with enough storage capacity to keep video data from 2 cameras only.

The installation on the right, using 5 regular cameras, will take at least twice as long to install. It will need enough cable for 5 cameras and a power supply that can provide power to 5 cameras. The final installation cost will also include a DVR with at least 5 channels (typically an 8-channel DVR) and enough storage capacity to retain video from 5 cameras.

170° Lens Camera Placement



92° Lens Camera Placement

