

COR-ACC890KP

OUTDOOR IP CARD READER w/ ILLUMINATED TOUCH PANEL



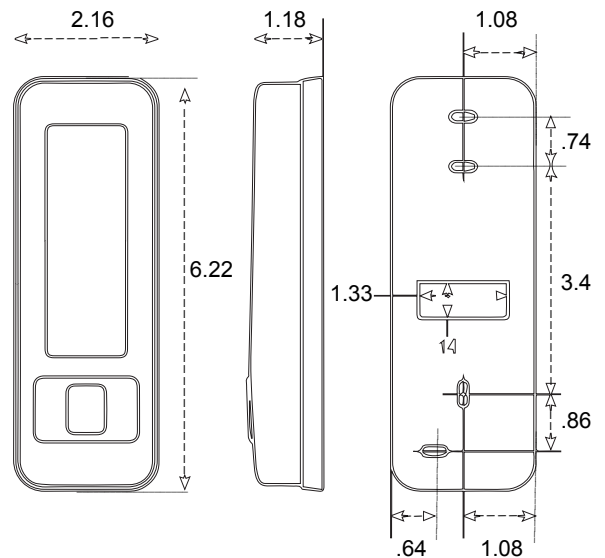
FEATURES

- ILLUMINATED TOUCHPAD DESIGN
- WEATHERPROOF OUTDOOR DESIGN
- SLIM BODY DESIGN
- USER CAPACITY: 3000 / EVENT LOG: 1500
- METAL ZINC ALLOY HOUSING
- SELECTABLE WORKING FREQUENCIES
- SUPPORTS WG PORT FOR ANTI PASS FUNCTION
- RS-485 COMMUNICATION INTERFACE
- KEYPAD AUTO LOCK FEATURE

SPECIFICATIONS

Frequency	125kHz or 13.56MHz)
Standard	125kHz : EM Standard 13.56MHz: ISO14443A ISO7816(Optional), DESFire(Optional), FeliCa(Optional) NFC(Optional)
Reading Range	125kHz : 3-7cm 13.56MHz : 1-3cm
Power Supply	10-24VDC
Power Consumption	< 3W
Communication Interface	RS-485 and TCP/IP
Data Transfer Rate	9600 bps(N,8,1)
Operating Temperature	-20°C to +60°C
Digital Input	2 Egress(R.T.E.) / 2 Door contact
Relay Output	Lock Relay
Lock Relay Time	Toggle, 0.1~600 Sec.
Alarm Time	Toggle, 1~600 Sec.
Tamper Switch	Limit Switch(Form C
Card User Capacity	16000/32000/65000 Users , 64/32/16 floors
Event Log	1,500
External Reader	1 WG Port
Anti-pass-back	Yes
Lift Control	16000/32000/65000 Users , 64/32/16 floors
Serial Port	Yes
Real Time Clock	Yes
LCD Panel	No
Transistor Output	Lock (or Security trigger signal) / Alarm
Door Bell Button	No
Protection Standard	IP65
Indicator	2 LED and 1 Beeper
Keypad Material	Illuminated Touch-panel

DIMENSIONS (inches)



Housing Material	Zinc Alloy
Time Zone	11/63(Connect to Multi-Door Networking Controller)
Operation Mode	Stand-Alone / Networking
Color	Chrome
Dimensions	158mm (L) 55mm (W) 30mm (H) 6.2 inches (L) 2.1 inches (W) 1.1 inches (H)
Weight (g)	211±10 (Zinc Alloy Frame) 105±10 (PC Frame)

COR-ACC890KP



CORTEX GLOBAL

©2017 Cortex®
As our product is subject to continuous improvement, Cortex & subsidiaries reserve the right to modify product design, specifications & prices without notice and without incurring any obligation. E&OE.
Distributed by www.cortexcctv.com 01-04192017