

COR-ACC890BIO

OUTDOOR BIOMETRIC IP CARD READER w/ ILLUMINATED TOUCH PANEL



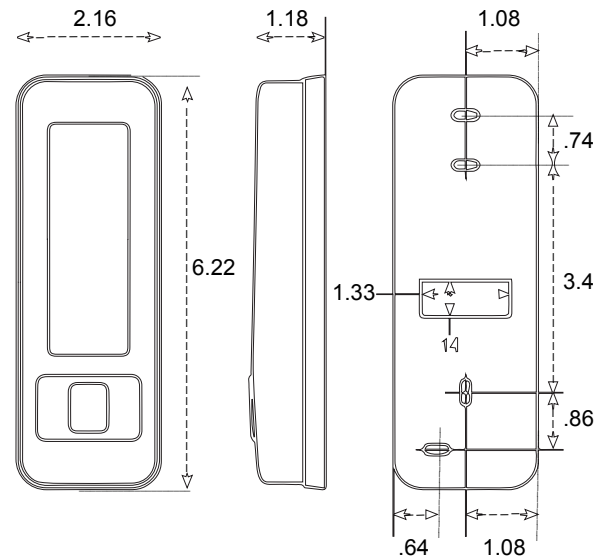
FEATURES

- ILLUMINATED TOUCHPAD DESIGN
- WEATHERPROOF OUTDOOR DESIGN
- SLIM BODY DESIGN
- ADVANCED BIOMETRICS
- METAL ZINC ALLOY HOUSING
- SELECTABLE WORKING FREQUENCIES
- SUPPORTS WG PORT FOR ANTI PASS FUNCTION
- RS-485 AND TCP/IP COMMUNICATION INTERFACE
- FRR HIGH RECOGNITION FINGERPRINT RATE

SPECIFICATIONS

Frequency	125kHz or HID Prox II or 13.56MHz or Dual Band (125kHz+13.56MHz) or Triple Bual (125kHz+HID Prox II+13.56MHz)
Standard	125kHz : EM Standard HID Prox(Optional) ,Indala Prox(Optional) 13.56MHz: ISO14443A ISO7816(Optional), DESFire(Optional),FeliCa(Optional) NFC(Optional)
Reading Range	125kHz : 3-7cm 13.56MHz : 1-3cm
Power Supply	10-24VDC
Power Consumption	< 5W
Communication Interface	RS-485 and TCP/IP
Data Transfer Rate	9600 bps(N,8,1) + 10/100M Base T
Operating Temperature	0° C to +60°C
Digital Input	Egress(R.T.E.) x 2 / Door contact x 2
Relay Output	Alarm Relay / Lock Relay
Lock Relay Time	Toggle, 0.1~600 Sec.
Alarm Time	Toggle, 1~600 Sec.
Tamper Switch	Limit Switch(Form C
Card User Capacity	16000/32000/65000 Users , 64/32/16 floors
Event Log	32,000
External Reader	1 WG Port
Anti-pass-back	Yes
Lift Control	16000/32000/65000 Users , 64/32/16 floors
Serial Port	Yes
Real Time Clock	Yes
Transistor Output	Arming LED / Alarm / Duress / WG Lock Relay / Security trigger signal
Protection Standard	IP65
Indicator	2 LED and 1 Beeper
Keypad Material	Illuminated Touch-panel

DIMENSIONS (inches)



Housing Material	Zinc Alloy
Door Bell	No
Time Zone	11/63(Connect to Multi-Door Networking Controller)
Operation Mode	Stand-Alone / Networking
Color	Chrome
Dimensions	158mm (L) 55mm (W) 30mm (H) 6.2 inches (L) 2.1 inches (W) 1.1 inches (H)
Weight (g)	216±10 (Zinc Frame) 10±10 (PC Frame)
FRR	< 0.001%
Finger Registration Capacity	1500 (500 users)
Auth. Speed (1:1000)	< 1.5 sec.
Operating Illuminance	0° C to +60°C
By order	HID Module (Option)

COR-ACC890BIO



CORTEX GLOBAL

©2017 Cortex®
As our product is subject to continuous improvement, Cortex & subsidiaries reserve the right to modify product design, specifications & prices without notice and without incurring any obligation. E&OE.
Distributed by www.cortexctv.com 01-04192017