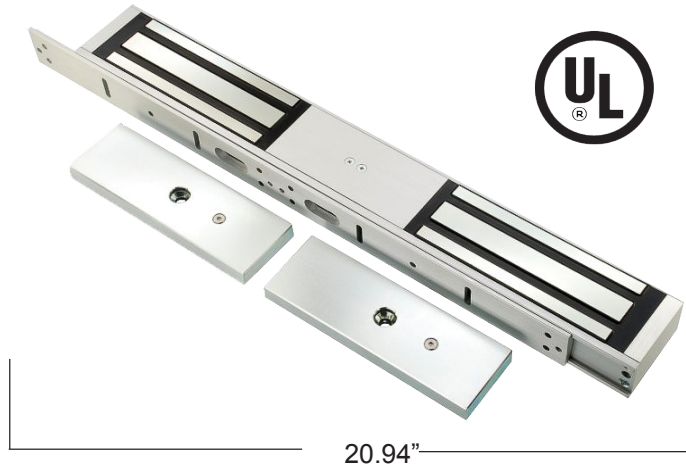


# COR-ACC500/2

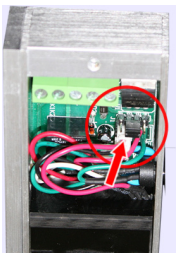
## UL-LISTED 1200LB DOUBLE MAGNETIC LOCK



- SURFACE MOUNTED
- BUILT-IN VOLTAGE SPIKE SUPPRESSOR
- POWER TO LOCK
- ADJUSTABLE MOUNTING PLATE FOR APPROPRIATE AND EASY INSTALLATION

Our COR-ACC500/2 dual magnetic lock is widely used in commercial and industrial applications. It is perfect for use on doors and gates that close against a fixed stop. All of the lock components are carefully designed, manufactured, and tested to ensure superior quality.

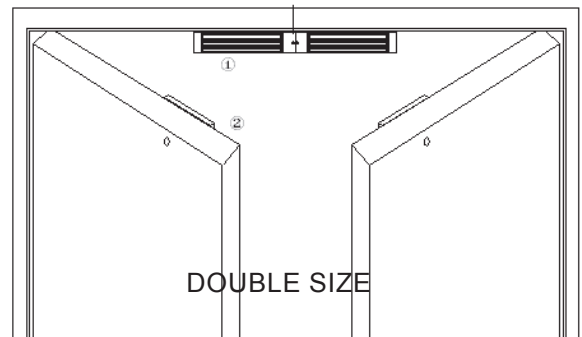
### Jumper Settings



Jumper Setting for 24VDC Operation



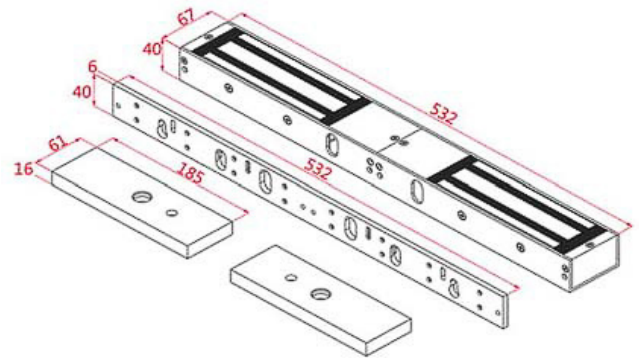
Jumper Setting for 12VDC Operation (Default Setting)



### SPECIFICATIONS

Design	Surface mount
Holding Force	1200 lbs
Protection	Built-in voltage spike suppressor
Power	12/24VDC (Dual voltage, selectable)
Current	500mA/12V; 250mA/24V
UL Listing	UL # S24385
Magnet Dimensions	532mm (L) x 73mm (W) x 40mm (D) 20.94" (L) x 2.87" (W) x 1.57" (D)
Armature Dimensions	185mm (L) x 61mm (W) x 16mm (T) 7.2" (L) x 2.40" (W) x .62" (T)

### DIMENSIONS METRIC



### RELATED PRODUCTS

Z-Bracket for COR-ACC300 Maglock



COR-ACC6Z

Outdoor Card Reader & Fingerprint Scanner



COR-ACC890BIO

Glass Door U-Bracket for COR-ACC300 Maglocks



COR-ACC612U

Microwave Motion Sensor



COR-ACC440

Red Push-to-Exit Device



COR-400IL

