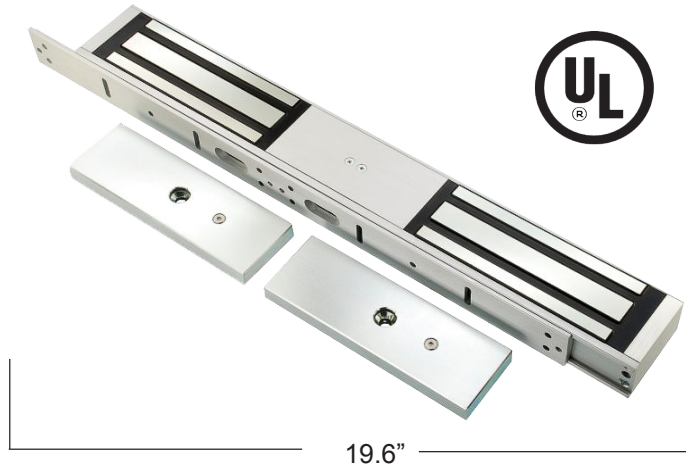


COR-ACC300/2

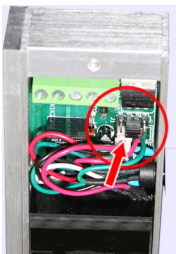
UL-LISTED 600LB DOUBLE MAGNETIC LOCK



- SURFACE MOUNTED
- BUILT-IN VOLTAGE SPIKE SUPPRESSOR
- POWER TO LOCK
- ADJUSTABLE MOUNTING PLATE FOR APPROPRIATE AND EASY INSTALLATION

Our COR-ACC300/2 dual magnetic lock is widely used in commercial and industrial applications. It is perfect for use on doors and gates that close against a fixed stop. All of the lock components are carefully designed, manufactured, and tested to ensure superior quality.

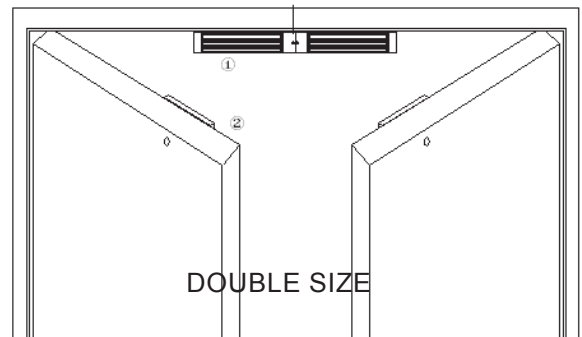
Jumper Settings



Jumper Setting for 24VDC Operation



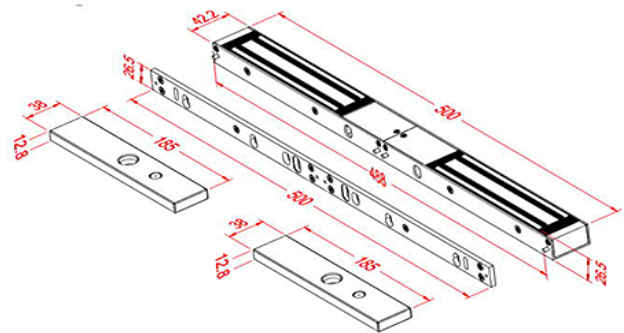
Jumper Setting for 12VDC Operation (Default Setting)



SPECIFICATIONS

Design	Surface mount
Holding Force	600 lbs
Protection	Built-in voltage spike suppressor
Power	12/24VDC (Dual voltage, selectable)
Current	500mA/12V; 250mA/24V
UL Listing	UL # S24385
Magnet Dimensions	500mm (L) x 47.2mm (W) x 26.5mm (D) 19.6" (L) x 1.8"(W) x 1.04"(D)
Armature Dimensions	185mm (L) x 38mm (W) x 12.5mm (T) 7.2" (L) x 1.49" (W) x .49" (T)

DIMENSIONS METRIC



RELATED PRODUCTS

Z-Bracket for COR-ACC300 Maglock



COR-ACC6Z

Outdoor Card Reader & Fingerprint Scanner



COR-ACC890BIO

Glass Door U-Bracket for COR-ACC300 Maglocks



COR-ACC612U

Microwave Motion Sensor



COR-ACC440

Red Push-to-Exit Device



COR-400IL

COR-ACC300/2

